

Vikilit

VK 635
Series



HARP

Vikilit® is a specially designed locking mechanism for PC Boards to provide low resistance interface in heat transfer, away from the board to heat exchanger. Special wedge angle design of VK635 provides superior clamping force, thus resistance to high shock and vibration, in addition to lowest thermal resistance.

features



- High Strength Aluminum Construction with optional finishes
- Lock indication and Locking hex drive screw options
- Standard length options and custom lengths, without any tooling or NRE cost
- Elongated screw to prevent unintentional disassembly
- Superior clamping force, thanks to special wedge angle design
- Lowest thermal resistance
- High resistance to vibration and shock

part numbering



VK635 - B - S - HA - 125 - M25 - N

OPTIONS

MANUFACTURER TYPE CODE

- No Lock Indicator ————— B
- Lock Indicator ————— (See Detail K) — K

- Standart Hole Distance — (See Table) — S
- Alternative Hole Distance — (See Table) — A

- Black Anodize per MIL-A-8625 Type II, Class 2 ————— A
- Hard Black Anodize per MIL-A-8625 Type III, Class 2 ————— HA
- Electroless Nickel per MIL-C-26074 Class 4, Grade B, Bright — EN
- Chromate per MIL-DTL-5541, Class 1A, Yellow ————— C

Assembly Length Code — (See Table)

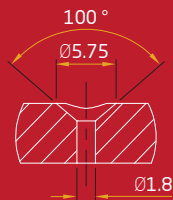
- | | | |
|------------------|-----------------------|------------------------|
| Mounting Options | M2.5x0.45 Tapped Hole | M25 |
| | M2.0x0.45 Tapped Hole | M20 |
| | Thru Hole HV2 | (See Detail HV2) — HV2 |
| | Thru Hole HV3 | (See Detail HV3) — HV3 |
| | M2 Helicoil Insert | (See Detail HM2) — HM2 |
| | UNC 2-56 Tapped Hole | UN2 |
| | UNC 0-80 Tapped Hole | UN0 |

- Lock Element ————— (See Detail L) — L
- None ————— N

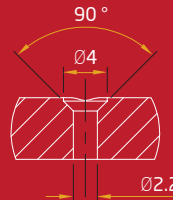
table - assembly lengths and hole dimensions

MODEL	DETAILS	HOLE DISTANCE	B	A ±1.00	APPROX. WEIGHT (g)
VK635-X-X-X-072-X-X	3 Wedge Design	S	11.43	72.12	9
		A	19.00		
VK635-X-X-X-085-X-X	3 Wedge Design	S	17.78	84.82	10
		A	31.00		
VK635-X-X-X-099-X-X	5 Wedge Design	S	24.13	97.52	11
		A	30.00		
VK635-X-X-X-112-X-X	5 Wedge Design	S	30.48	110.22	12
		A	36.83		
VK635-X-X-X-125-X-X	5 Wedge Design	S	36.83	122.92	14
		A	55.00		
VK635-X-X-X-138-X-X	5 Wedge Design	S	43.18	135.62	15
		A	66.00		
VK635-X-X-X-150-X-X	5 Wedge Design	S	49.53	148.32	16
		A	79.00		
VK635-X-X-X-163-X-X	5 Wedge Design	S	55.88	161.02	17
		A	87.00		
VK635-X-X-X-175-X-X	5 Wedge Design	S	62.23	173.72	19
		A	92.50		
VK635-X-X-X-187-X-X	7 Wedge Design	S	68.58	186.42	20
		A	100.00		
VK635-X-X-X-200-X-X	7 Wedge Design	S	74.93	199.12	21
		A	112.00		
VK635-X-X-X-212-X-X	7 Wedge Design	S	81.28	211.82	22
		A	125.00		
VK635-X-X-X-225-X-X	7 Wedge Design	S	87.63	224.52	24
		A	138.00		

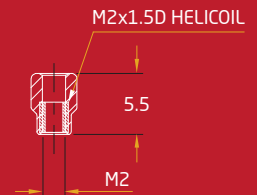
options



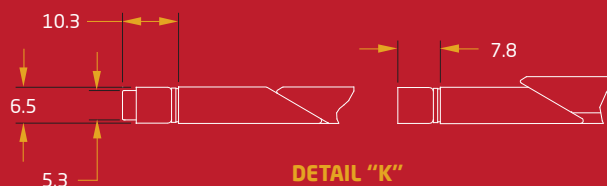
DETAIL "HV2"
Countersink - THRU Hole



DETAIL "HV3"
Countersink - THRU Hole



DETAIL "HM2"
M2 HELICOIL INSERT



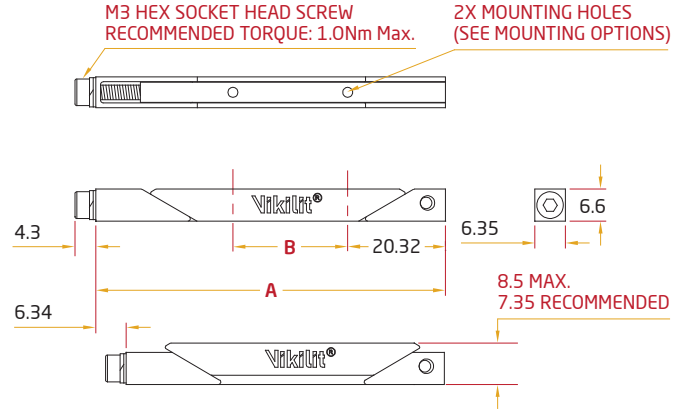
DETAIL "K"
Lock Indicator



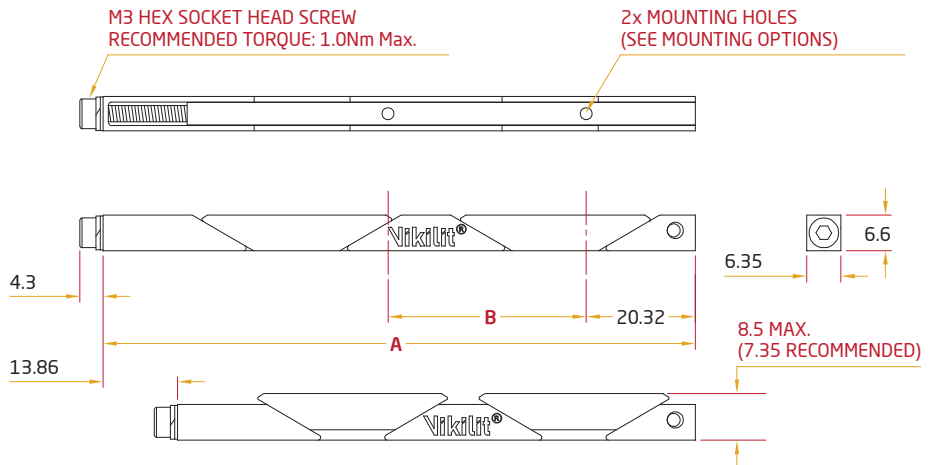
DETAIL "L"
Self Locking Options

design styles

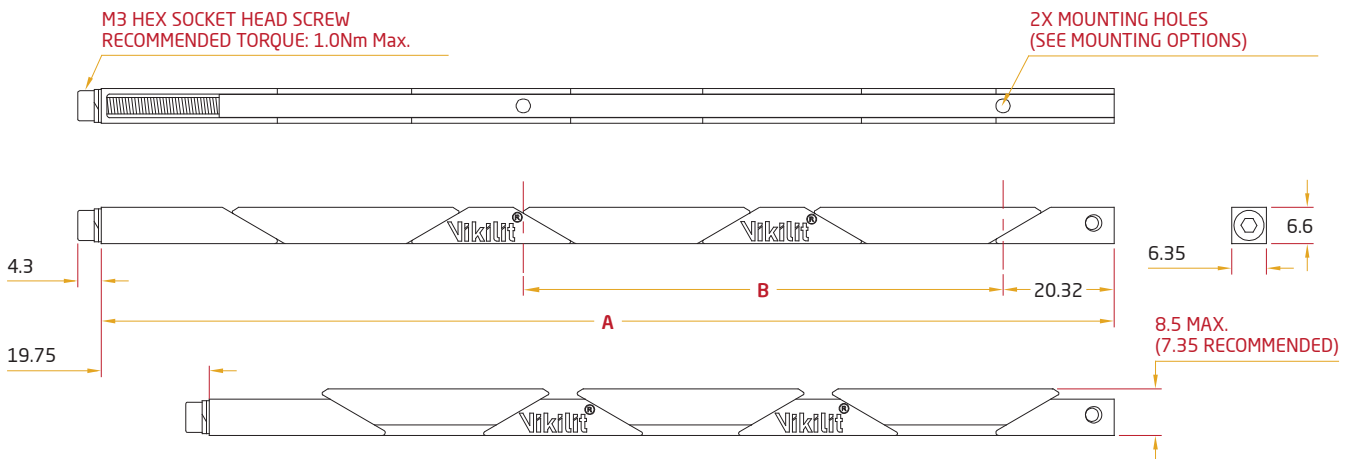
3 Wedge Design



5 Wedge Design



7 Wedge Design



Vikilit

VK 635
Series



HARP
HARP SAVUNMA SİSTEMLERİ SAN. VE TİC. A.Ş.

Bilkent Cyberpark, Cyber Plaza B Blok No:216 Çankaya / ANKARA / TURKEY
+90 312 265 0266



info@harp.com.tr